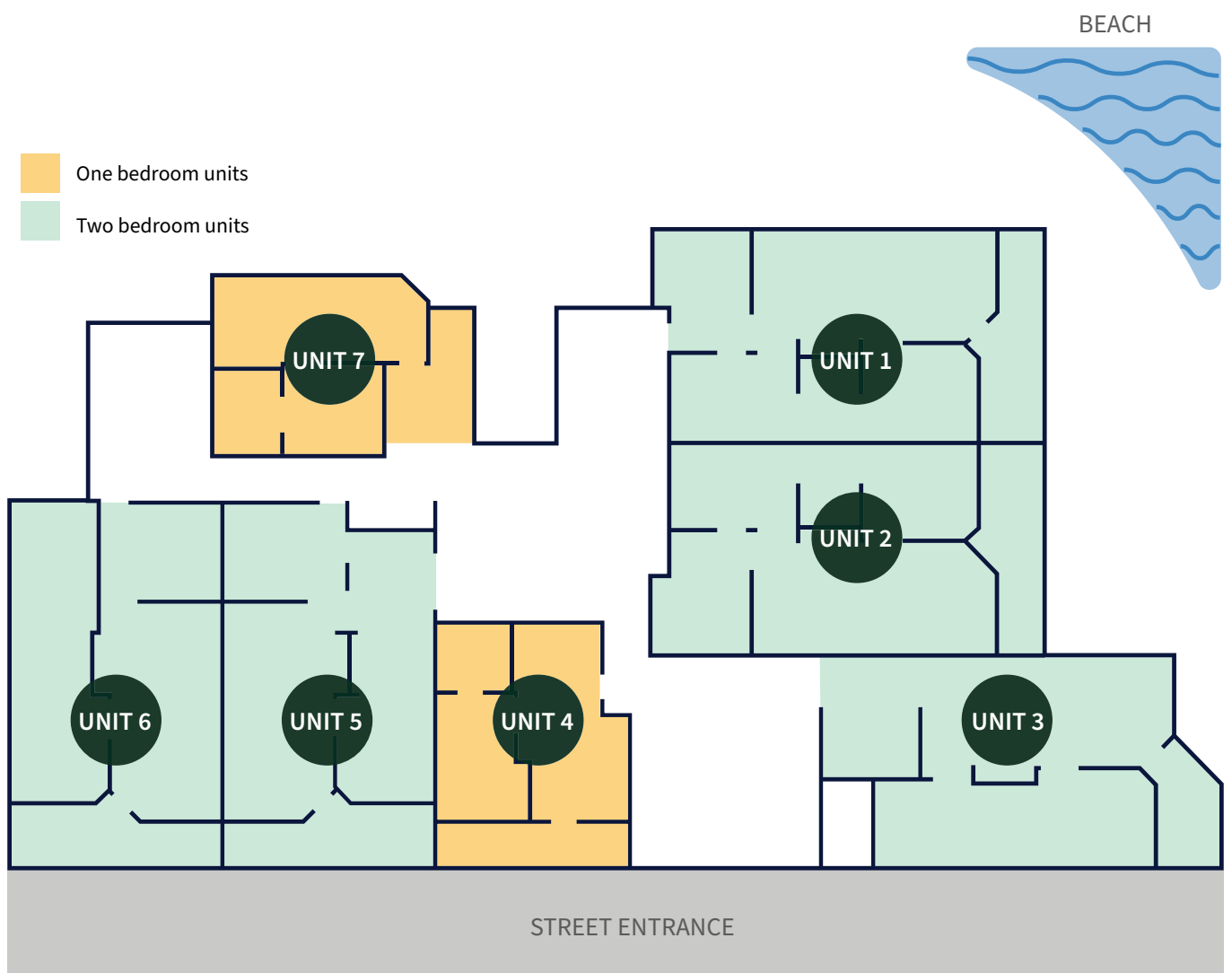


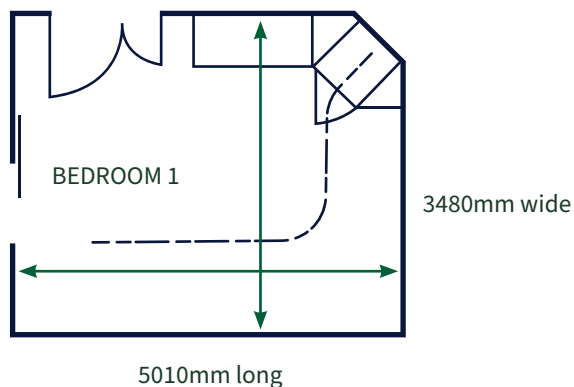
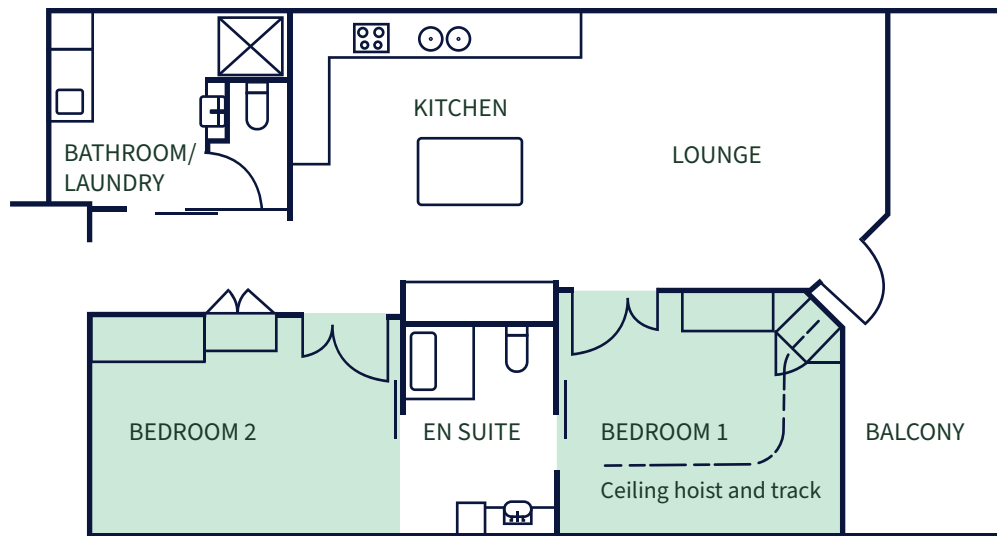
# Unit specifications and information



**LEVEL 1: FLOORPLAN**

# Unit 1

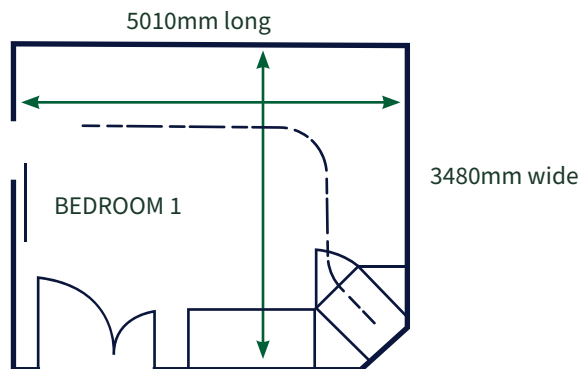
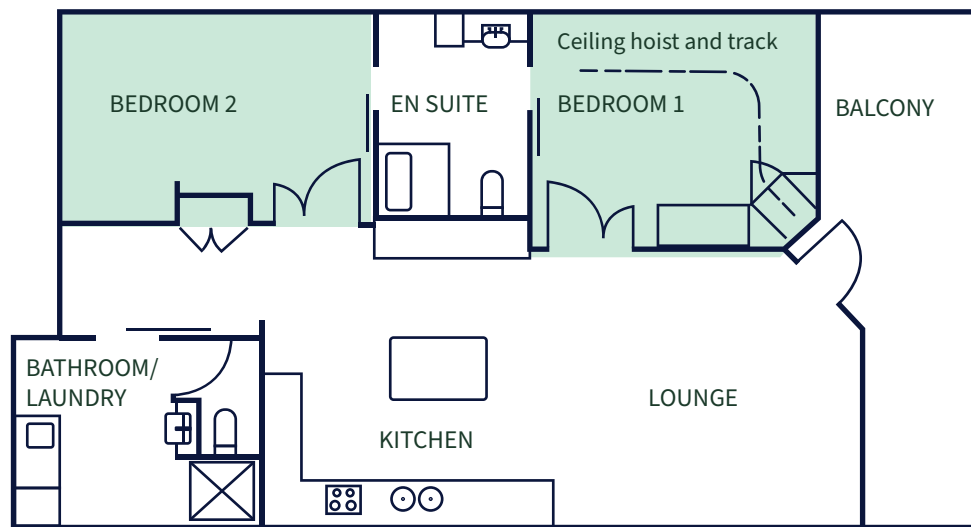
## Two bedroom unit



<b>BEDROOM 1</b>	1x king bed or can be separated to make x2 singles. 1x bed is a Hi-Lo bed, while the other is a companion bed.
<b>BEDROOM 2</b>	2x single beds or can be combined to make a queen
<b>LOUNGE/ SOFA BED</b>	1x 3-seater lounge (900h x 1830w x 103d)
<b>WARDROBE</b>	Wardrobe rail height is 850mm
<b>BATHROOM</b>	Toilet is left-hand transfer with no backrest

# Unit 2

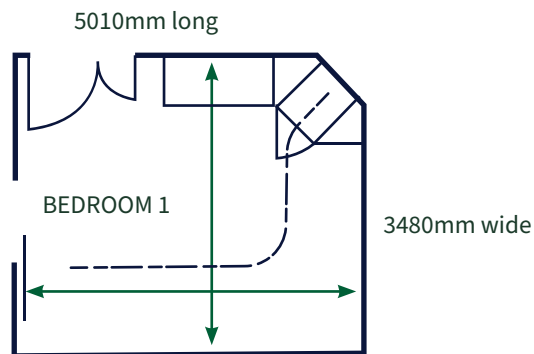
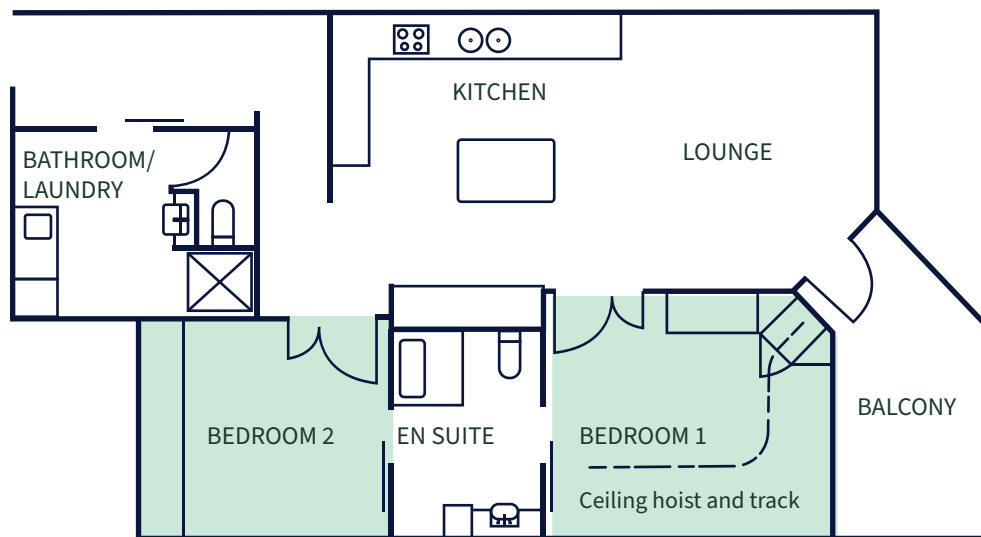
## Two bedroom unit



<b>BEDROOM 1</b>	1x king bed or can be separated to make x2 singles. 1x bed is a Hi-Lo bed, while the other is a companion bed.
<b>BEDROOM 2</b>	2x single beds or can be combined to make a queen
<b>LOUNGE/ SOFA BED</b>	1x 3-seater lounge (900h x 1830w x 103d)
<b>WARDROBE</b>	Wardrobe rail height is 850mm
<b>BATHROOM</b>	Toilet is right-hand transfer with backrest

# Unit 3

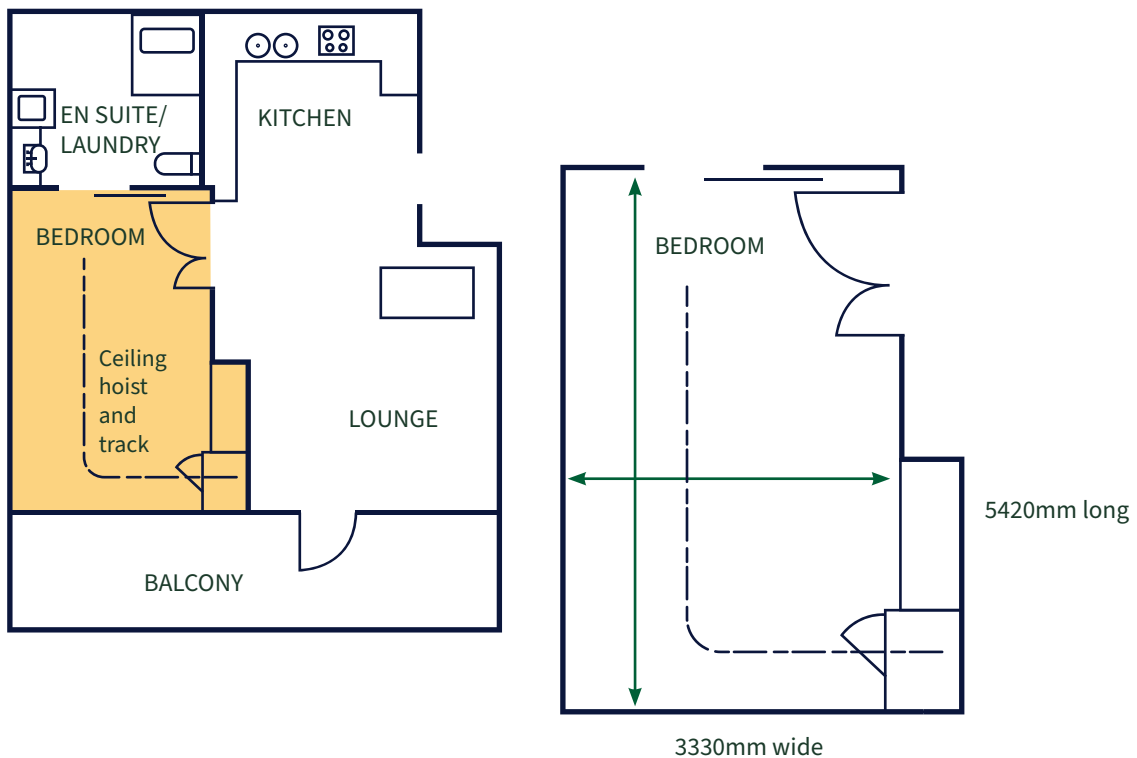
## Two bedroom unit



<b>BEDROOM 1</b>	1x king bed or can be separated to make x2 singles. 1x bed is a Hi-Lo bed, while the other is a companion bed.
<b>BEDROOM 2</b>	2x single beds or can be combined to make a queen
<b>LOUNGE/ SOFA BED</b>	1x 3-seater lounge (900h x 1830w x 103d)
<b>WARDROBE</b>	Wardrobe rail height is 850mm
<b>BATHROOM</b>	Toilet is left-hand transfer with backrest

# Unit 4

## One bedroom unit



### BEDROOM

1x king bed or can be separated to make x2 singles.  
1x bed is a Hi-Lo bed, while the other is a companion bed.

### LOUNGE/ SOFA BED

1x 3-seater lounge (900h x 1830w x 103d)

### WARDROBE

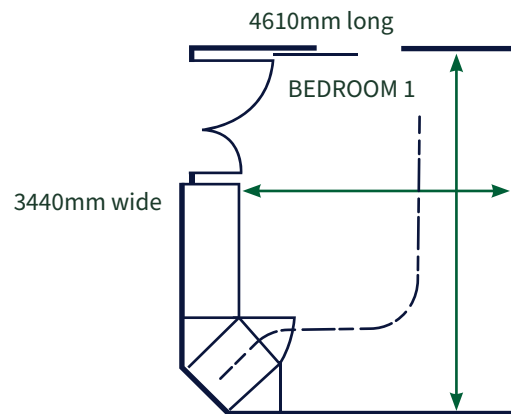
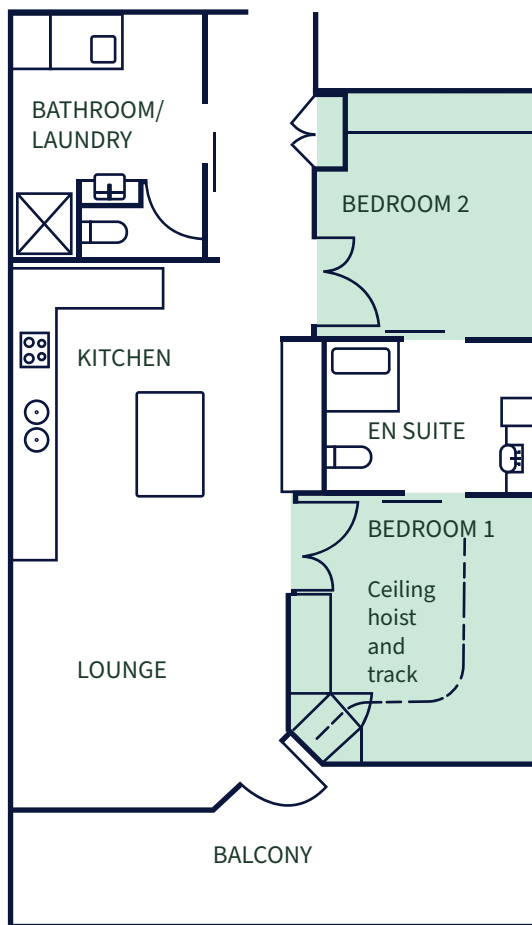
Wardrobe rail height is 850mm

### BATHROOM

Toilet is left-hand transfer with no backrest

# Unit 5

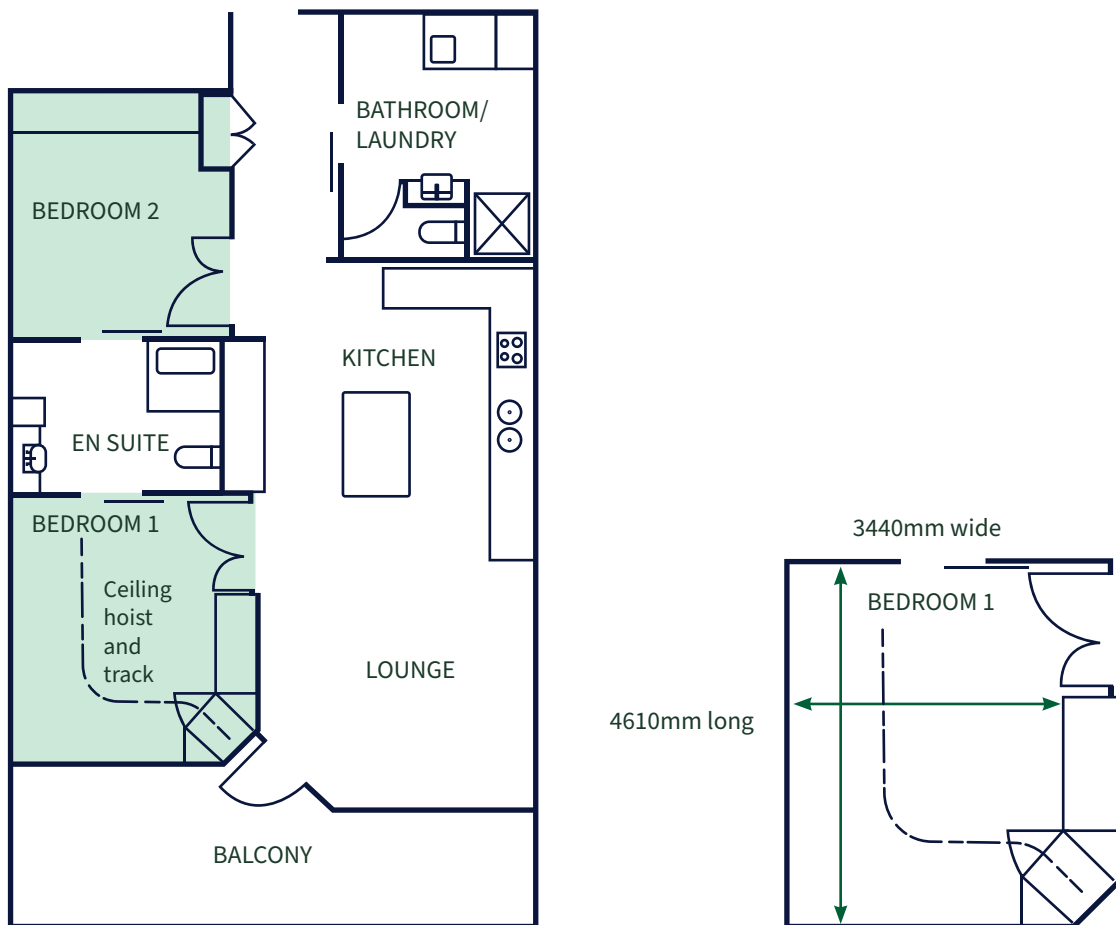
## Two bedroom unit



<b>BEDROOM 1</b>	1x king bed or can be separated to make x2 singles. 1x bed is a Hi-Lo bed, while the other is a companion bed.
<b>BEDROOM 2</b>	2x single beds or can be combined to make a queen
<b>LOUNGE/ SOFA BED</b>	1x 3-seater lounge (900h x 1830w x 103d)
<b>WARDROBE</b>	Wardrobe rail height is 850mm
<b>BATHROOM</b>	Toilet is right-hand transfer with no backrest

# Unit 6

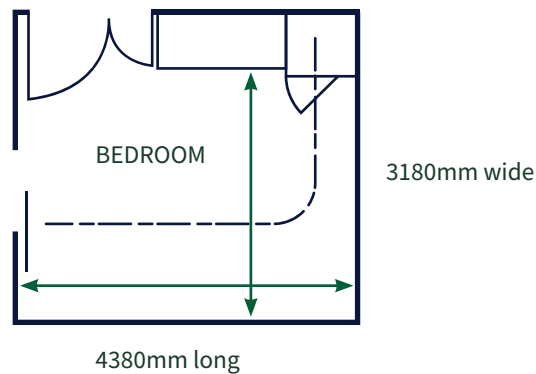
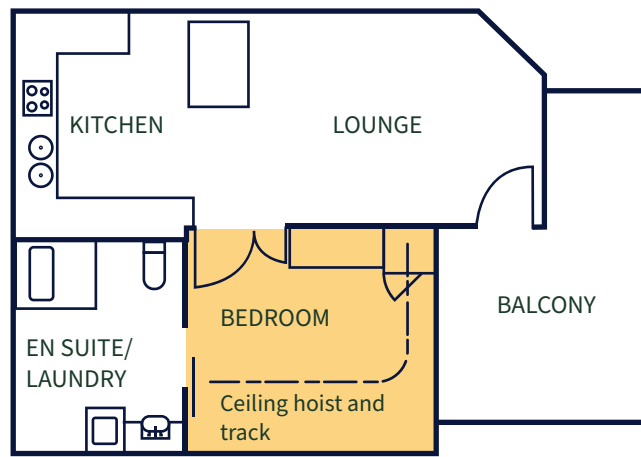
## Two bedroom unit



<b>BEDROOM 1</b>	1x king bed or can be separated to make x2 singles. 1x bed is a Hi-Lo bed, while the other is a companion bed.
<b>BEDROOM 2</b>	2x single beds or can be combined to make a queen
<b>LOUNGE/ SOFA BED</b>	1x 3-seater lounge (900h x 1830w x 103d)
<b>WARDROBE</b>	Wardrobe rail height is 850mm
<b>BATHROOM</b>	Toilet is right-hand transfer with no backrest

# Unit 7

## One bedroom unit



### BEDROOM

1x king bed or can be separated to make x2 singles.  
1x bed is a Hi-Lo bed, while the other is a companion bed.

### LOUNGE/ SOFA BED

1x 3-seater lounge (900h x 1830w x 103d)

### WARDROBE

Wardrobe rail height is 850mm

### BATHROOM

Toilet is left-hand transfer with no backrest



# Door clear opening space

LOCATION	DOOR CLEAR OPENING SPACE(MM)
All unit front entry doors	900
All bedroom 1 doorways	1460
All bedroom 2 doorways	1460
All ensuite doorways from Bedroom 1 and Bedroom 2	900
All 2 bedroom bathroom/ laundry doorway	900
All balcony doorways	900
Lift opening	1080

# Bathroom information

## TOILETS

Toilet heights are:

- › Toilet with seat down: 475mm
- › Toilet with seat up: 445mm

Note back rests only on toilets in Units: 2 & 3.

## HEIGHT ADJUSTABLE ENSUITE BASIN BENCH

- › Low: 520mm (leg room); 690mm top of bench
- › High: 820mm (leg room); 990mm top of bench
- › Depth under bathroom basin: 60mm from pipe, 210mm from back of wall

## SHOWER

All Bedroom 1 bathrooms have a folding accessible shower seat.

Dimensions as follows:

- \*Seat protrudes 92mm from wall when in the closed position.

